

'StandBack' -patent-pending. 'Treestand Gear System'



WEBBING HANDLE
-can be used to position the pack while attaching the strap around the tree.

BOW, GUN, or CROSSBOW
The pack has been re-designed for '07 to universally carry anything / any season.

ELASTIC STRAPS.
The shoulder straps have a suspension feature which make the pack more comfortable. The detail also helps to secure the pack to the tree.

PADDED BACKREST
-keeps you in the tree longer and eliminates bark noise.

GEAR POCKET
-can be used for headnets, gloves, and rattlebags.

ZIPPERED POCKET
-designed for releases, rangefinder, headlamp.

OVER-SIZED ZIPPERPULLS
-easy to handle with gloves or cold hands.

MESH POCKET
-perfect for quick access to scent bottles, wind checker, etc.

MOUThCALL POCKETS
-open-top pockets for quick access to mouthcalls.

PORTABILITY
Padded straps to comfortably carry a bulky gun or even a crossbow

◀ **Backpack...**
...to Tree. ▶

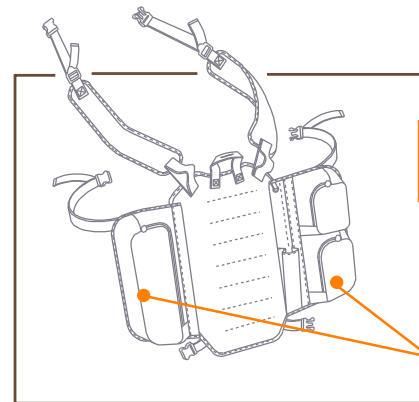
TREE STRAPS
Tree attachment straps can be tucked into the vertical pockets.

MESH GEAR POCKET.
A large zippered pocket for storing your release, gloves, or handwarmers.

COMPRESSION STRAPS
Straps can be adjusted to close the pack according to capacity.

'Drop-Pocket' DESIGN
Set up to hold a gunstock or a bow's camwheel.

RELEASE HARDWARE
The shoulder straps can be released from the pack and re-connected to each other to hang the pack from the tree.



2-in-1

OPEN PACK
The 'wings' on pack open and wrap around the tree to provide a padded backrest and improved access to your hunting gear.